

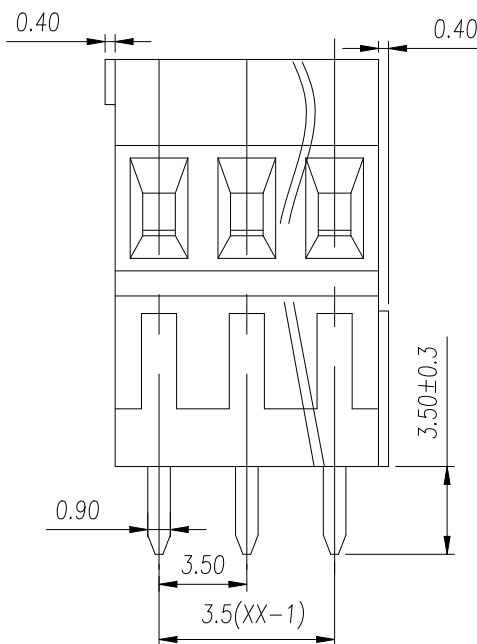
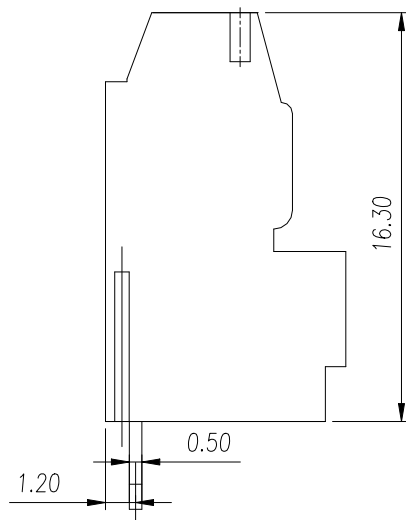
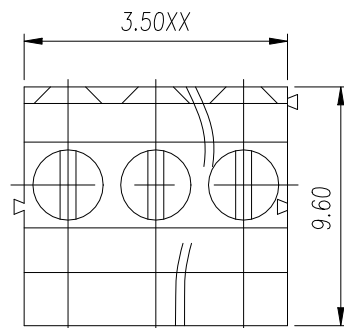
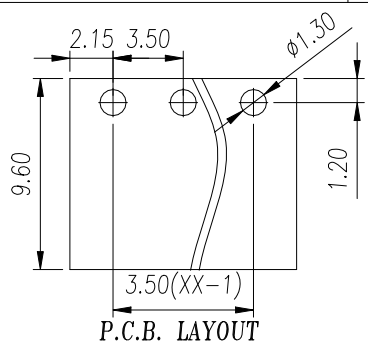


慈溪市万捷电子有限公司

CIXI WANJIE ELECTRONIC CO., LTD

REVISION RECORD

| REV. | DESCRIPTION | ECN No. | APPROVED | DATE |
|------|-------------|---------|----------|------|
| | | | | |
| | | | | |
| | | | | |
| | | | | |



| UL/CUL 技术参数 | | | | |
|-----------------------|-----------------------------------|------------------|-------------|------|
| UL/CUL Technical Data | | | | |
| 等级 | Use Group | B | C | D |
| 额定电压 | Rated Voltage [V] | 300 | - | 300 |
| 额定电流 | Rated Current [A] | 10 | - | 10 |
| 接线范围 | Wire Range | 28-16 | | |
| 单/多芯线 | Solid/Stranded [AWG] | 28-16 | | |
| 耐电压 | Withstanding Voltage | 1600V/1Min | | |
| IEC 技术参数 | | | | |
| IEC Technical Data | | | | |
| 过电压类别 | Overvoltage Category | III | III | II |
| 污染等级 | Contamination Class | 3 | 2 | 2 |
| 额定电压 | Rated Voltage [V] | 160 | 200 | 400 |
| 额定电流 | Rated Current [A] | 13.5 | 13.5 | 13.5 |
| 额定冲击电压 | Impulse withstand voltage [KV] | 2.5 | 2.5 | 2.5 |
| 导线截面积 | Conductor cross section | 0.5-1.0 | | |
| 硬质/柔性导线 | Solid/flexible [mm ²] | 0.5-1.0 | | |
| 材料 | | | | |
| 绝缘材料 | Insulation Material | PA66 | | |
| 阻燃等级 | Imflamability | UL94V-0 | | |
| 导体材料 | Contacting Material | 铜合金 Copper alloy | | |
| 导体表面镀层 | Contactive Coating | 镀锡 Sn Plated | | |
| 一般参数 | | | | |
| 间距 | Pitch / 极数 Poles | [mm] / [P] | 3.5 / 02-24 | |
| 剥线长度 | Stripping Length | [mm] | 4-5 | |
| 螺丝 | Screw/扭矩 Torque(Max) | [N.m] | M2/0.2 | |
| 工作温度 | Operating temperature | [°C] | -40-105 | |
| 焊锡温度 | Soldering temperature | | 260°C/5S | |
| 引针尺寸 | Pin Dimensions | [mm] | 0.5*0.9 | |
| PCB板孔径 | PCB Hole Diameter | [mm] | Ø1.3 | |

| linear dimension(Tolerances Standard GB/T 14486-2008) | | | | | | | — | ∠ | ⊥ |
|---|-------|--------------|---------------|---------------|----------------|-----------------|-------|--------|--------|
| variable range | to 6 | over 6 to 10 | over 10 to 30 | over 30 to 60 | over 60 to 100 | over 100 to 160 | to 10 | to 100 | to 100 |
| tolerance | ±0.20 | ±0.30 | ±0.50 | ±0.70 | ±1.00 | ±1.30 | ±1.60 | 0.10 | 0.30 |

单位 / UNITS mm 尺寸 / SIZE A4 比例 / SCALE 3.5:1 第三视角 / THIRD ANGLE PROJECTION 版本 / REV V0

名称 / TITLE WJEEK350-3.5-XXP-1YY-00A

慈溪市万捷电子有限公司 CIXI WANJIE ELECTRONIC CO., LTD